

LEGEND^{NX}

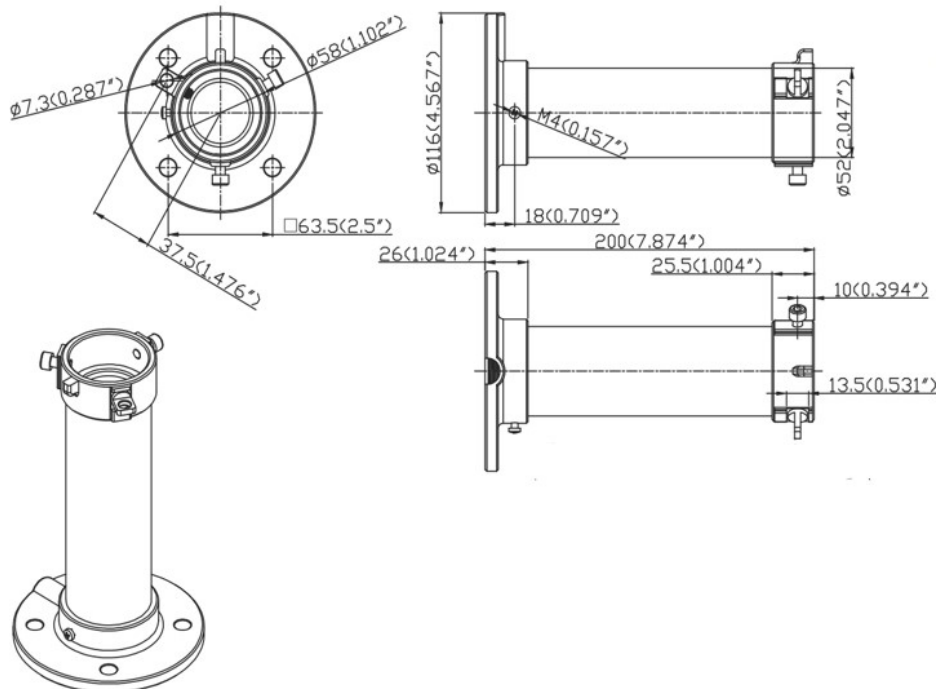
XLGNXC1A4

Pendant Mount for NX PTZ Camera



Characteristics	
Colour	White
Material	Aluminum Alloy
Dimensions	225 mm × 182 mm × 97.3 mm (8.86" × 7.17" × 3.83")
Weight	1.68 lb / 762 g

Dimensions



* Design and specifications are subjects to change without notice.